

**HANDLE MODIFICATION FOR MS CABINET
MODIFICA MANIGLIA PER MOBILI SERIE MS**

KIT G55350 INCLUDES:

G53340 - HANDLE WITH ADDITIONAL FEATURES
(DOOR LOCK AND PLASTIC COVERS FOR SCREWS)

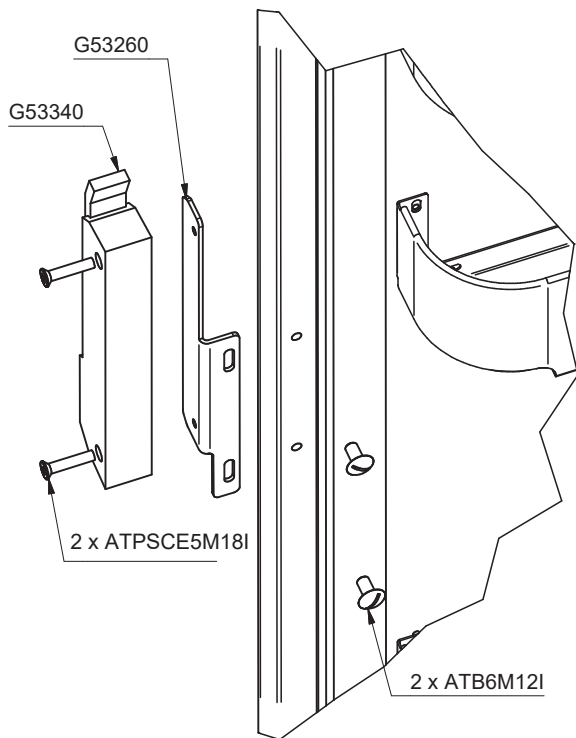
G53260 - BRACKET RIGHT SIDE

G53885 - BRACKET LEFT SIDE (SEE "DETAIL A" PAG. 02)

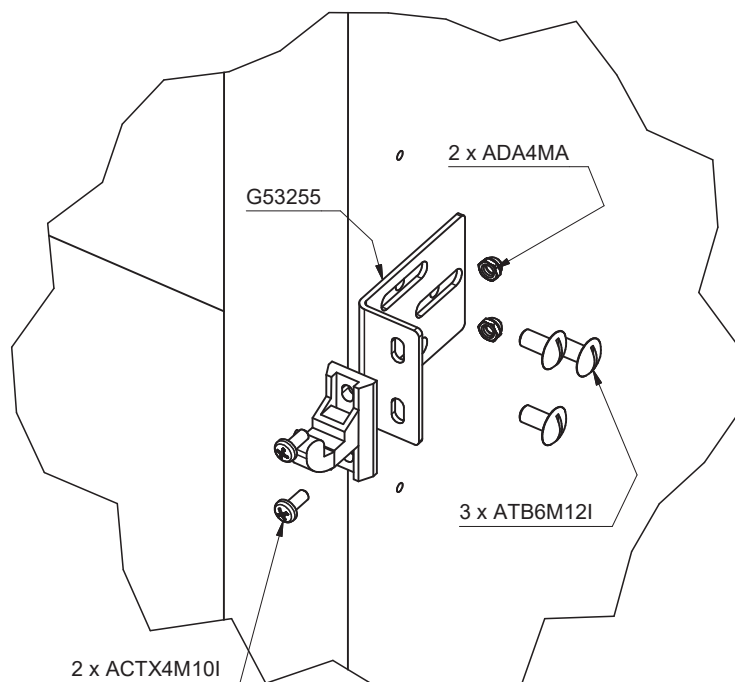
G53255 - BRACKET FOR DOOR LOCK

HANDLE ON THE RIGHT SIDE

DETAIL A



DETAIL B



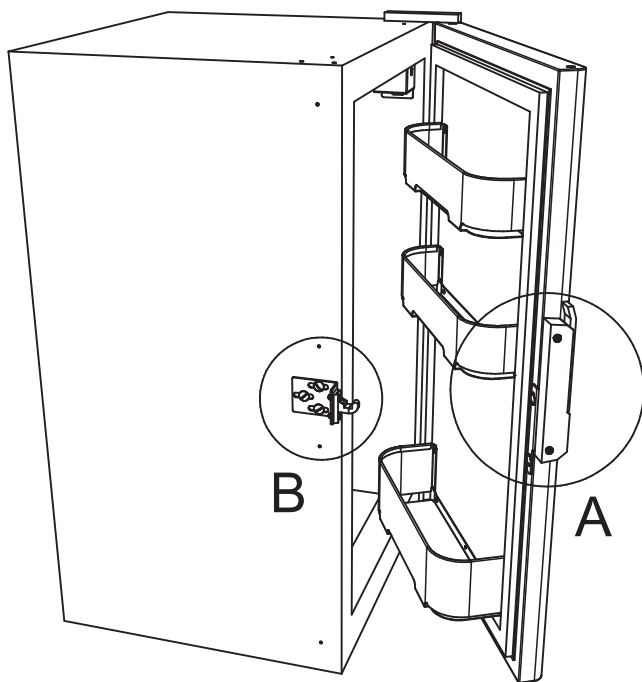
VECO S.p.A. GIUSSANO-ITALY		Part Number: R1513		Page: Tav. 1	03			
Material/Finishing:		NOME: MODIFICA MANIGLIA PER MOBILI SERIE MS			02			
		NAME: HANDLE MODIFICATION FOR MS CABINET			01			
Sch Contr: 03	Spessore:	General Tolerance: ISO 2768-c	Made by:	Vised:	Date: 05/06/2008	Rev.	Data	Signature

CODICE
PROV.

CICLO
LAVORO

CICLO
MACCHINA

VISTO



HANDLE MODIFICATION FOR MS CABINET
MODIFICA MANIGLIA PER MOBILI SERIE MS

KIT G55350 INCLUDES:

G53340 - HANDLE WITH ADDITIONAL FEATURES
(DOOR LOCK AND PLASTIC COVERS FOR SCREWS)

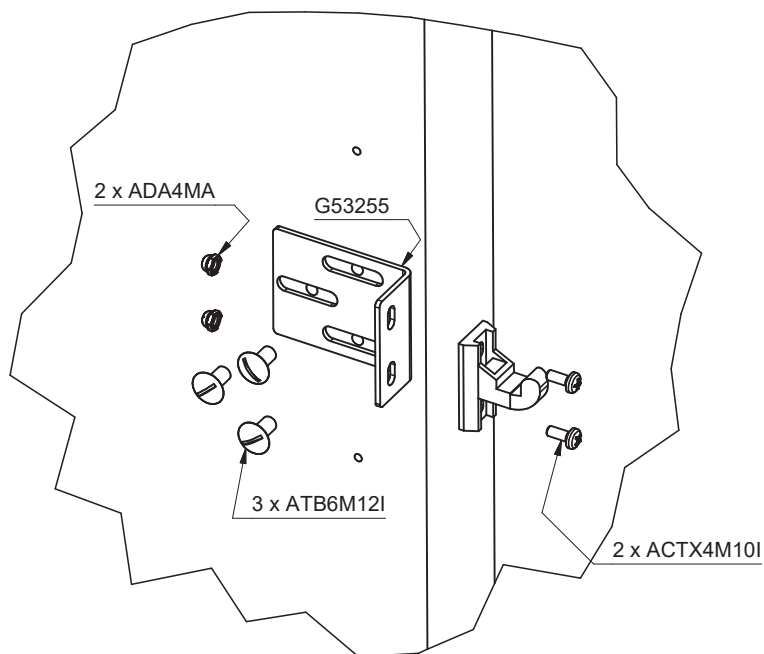
G53885 - BRACKET LEFT SIDE

G53260 - BRACKET RIGHT SIDE (SEE "DETAIL A" PAG. 01)

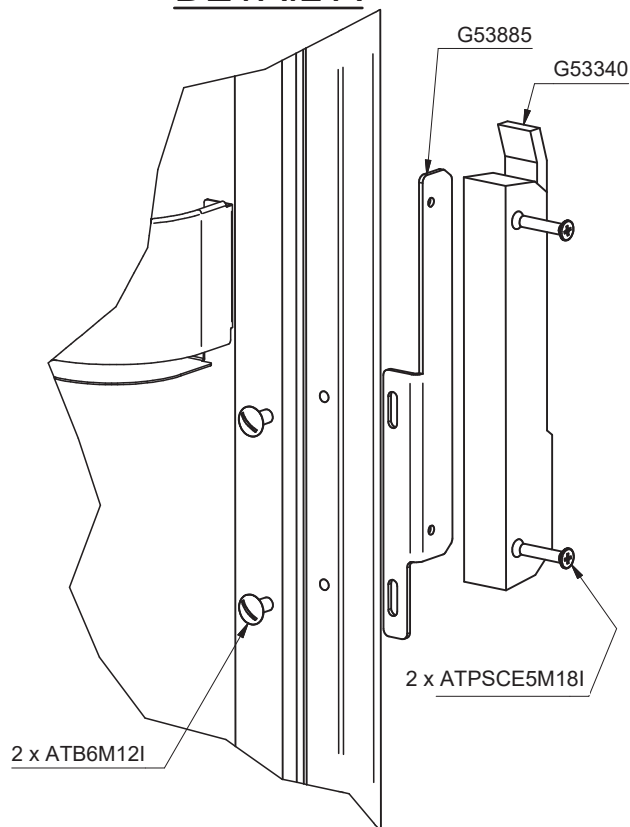
G53255 - BRACKET FOR DOOR LOCK

HANDLE ON THE LEFT SIDE

DETAIL B



DETAIL A



VECO S.p.A. GIUSSANO-ITALY		Part Number: R1513		Page: Tav. 2	03			
Material/Finishing:		NOME: MODIFICA MANIGLIA PER MOBILI MS			02			
		NAME: HANDLE MODIFICATION FOR MS CABINET			01			
Sch Contr: 03	Spessore:	General Tolerance: ISO 2768-c	Made by:	Vised:	Date: 05/06/2008	Rev.	Data	Signature